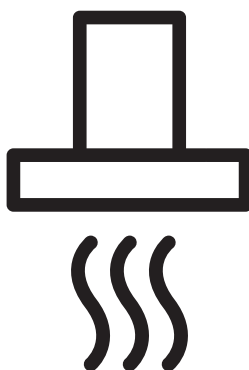




Cooker Hood

User Manual



BHCI 31322 BBH

EN - PL



CONTENTS

ENGLISH **03-25**

POLSKI **26-51**

Please read this user manual first!

Dear Valued Customer,

Thank you for preferring this Beko appliance. We hope that you get the best results from your appliance which has been manufactured with high quality and state-of-the-art technology. For this reason, please read this entire user manual and all other accompanying documents carefully before using the appliance and keep it as a reference for future use. If you handover the appliance to someone else, give the user manual as well. Follow the instructions by paying attention to all the information and warnings in the user manual.

Remember that this user manual may also apply to other models. Differences between models are explicitly described in the manual.

Meanings of the Symbols

Following symbols are used in various sections of this user manual:



Important information and useful hints about usage.



WARNING: Warnings against dangerous situations concerning the security of life and property.



WARNING: Warning for danger of fire.



WARNING: Warning for electric shock.



Protection class for electric shock.

1 Important safety and environmental instructions

1.1 General Safety

Important Safety Instructions Read Carefully And Keep For Future Reference This section contains safety instructions that will help protect from risk of fire, electric shock, exposure to leak microwave energy, personal injury or property damage. Failure to follow these instructions shall void any warranty.

- Beko products comply with the applicable safety standards; therefore, in case of any damage on the appliance or power cable, it should be repaired or replaced by the dealer, service center or a specialist and authorized service alike to avoid any danger. Faulty or unqualified repair work may be dangerous and cause risk to the user.
- This appliance is intended to be used in household

and similar applications such as:

- Staff kitchen areas in shops, offices and other working environments;
- Farm houses
- By clients in hotels, and other residential type environments;
- Bed and Breakfast type environments.
- Operate the appliance for its intended purpose only as described in this manual.
- The manufacturer cannot be held liable for damages resulting from improper installation or misuse of the product.
- This appliance can be used by children aged from 8 years and above and persons with reduced physical, sensory or mental capabilities or lack of experience and knowledge if they have been given supervision or in-

1 Important safety and environmental instructions

struction concerning use of the appliance in a safe way and understand the hazards involved.

- Children shall not be allowed play with the appliance. Cleaning and user maintenance shall not be made by children without supervision.
- The minimum distance between the supporting surface for the cooking vessels on the hob and the lowest part of your product must be at least 65 cm.
- If the instructions for installation for the gas hob specify a greater distance, this has to be taken into account.
- Make sure that your mains power supply complies with the information supplied on the rating plate of the appliance.
- Never use the appliance if the power cable or the appliance itself is damaged.

- Prevent damage to the power cable by not squeezing, bending, or rubbing it on sharp edges. Keep the power cable away from hot surfaces and naked flame.
- Use the appliance with a grounded outlet only.

WARNING: Do not connect the appliance to the mains until the installation is fully complete.

- Place the appliance in a way so that the plug is always accessible.
- Do not touch the lamps if they have operated for a long time. They can burn your hands since they will be hot.
- Follow the regulations set out by competent authorities on discharge of the exhaust air (this warning is not applicable for use without flue).
- Operate your appliance after putting a pot, pan

1 Important safety and environmental instructions

etc. on the hob. Otherwise, high heat may cause deformation in some parts of your product.

- Turn off the hob before taking the pot, pan etc. from it.
- Do not leave hot on the hob. Pans with hot may cause self combustion.
- Pay attention to your curtains and covers since may catch fire while cooking food such as fries.
- Grease filter must be cleaned at least monthly. Carbon filter must be replaced at least every 3 months.
- Product shall be cleaned accordance with user manual. If cleaning was not carried out in accordance with user manual, there may be fire risk.
- Do not use non-fire-resistant filtering materials instead of the current filter.
- Only use the original parts or parts recommended by the manufacturer.
- Do not operate the product without the filter and do not remove the filters while the product is running.
- In the event of be started any flame, de-energize your product and cooking appliances.
- In the event of be started any flame, cover the flame and never use water to extinguish.
- Unplug the appliance before each cleaning and when the appliance is not in use.
- The negative pressure in the environment should not exceed 4 Pa (4x10 bar) while the hood for electric hob and appliances running on another type of energy but electricity operate simultaneously.
- In the environment where the appliance is being

1 Important safety and environmental instructions

used, the exhaust of devices running on fuel or gas, such as room heater must be absolutely isolated or device must be hermetical type.

- When connecting the flue, use pipes with a diameter of 120 or 150 mm. Pipe connection must be as short as possible and have as few elbows as possible.
- Danger of choking! Keep all the packaging materials away from children.

CAUTION: Accessible parts may become hot when used with cooking appliances.

- The product outlet must not be connected to air channels that include other smoke.
- The ventilation in the room may be insufficient when the hood for electric hob is used simultaneously with the devices operating on gas or other fuels (this may not apply to appliances that only discharge

the air back into the room).

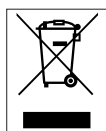
- Objects placed on the product may fall. Do not place any objects on the product.
- Do not flambe under the your product.

WARNING: Before installing the Hood, remove the protective films.

- Never leave high naked flames under the hood when it is in operation
- Deep fat fryers must be continuously monitored during use: overheated can burst into flames.

1.2 Compliance with the WEEE Directive and Disposing of the Waste Product:

This product complies with EU WEEE Directive (2012/19/EU). This product bears a classification symbol for waste electrical and electronic equipment (WEEE).



This symbol indicates that this product shall not be disposed with other household wastes at the end of its service life. Used device must be returned to official collection point for recycling of electrical and electronic devices. To find these collection systems please contact to your

1 Important safety and environmental instructions

local authorities or retailer where the product was purchased. Each household performs important role in recovering and recycling of old appliance. Appropriate disposal of used appliance helps prevent potential negative consequences for the environment and human health.

1.3 Compliance with RoHS Directive

The product you have purchased complies with EU RoHS Directive (2011/65/EU). It does not contain harmful and prohibited materials specified in the Directive.

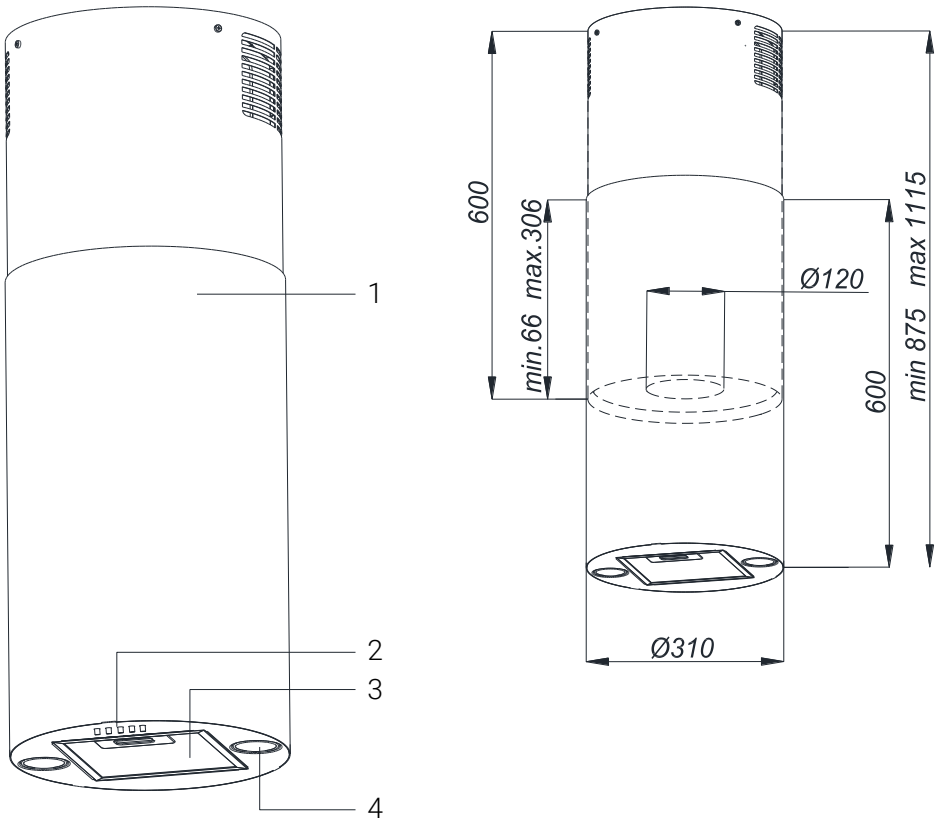
1.4 Package Information



Packaging materials of the product are manufactured from recyclable materials in accordance with our National Environment Regulations. Do not dispose of the packaging materials together with the domestic or other wastes. Take them to the packaging material collection points designated by the local authorities.

2 General appearance

2.1 Overview



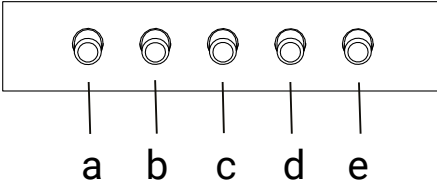
1. Body
2. Control panel
3. Grease filter
4. Lighting

2.2 Technical data

Model	BHCI 31322 BBH
Supply voltage & frequency	220-240V ~ 50 Hz
Lamp power	2 x 3 W
Motor power	115 W
Air flow – 3. Level	300 m ³ /h
Motor Insulation Class	Class F
Insulation class	Class II

3 Using the appliance

3.1 Controls panel



The diagram shows a rectangular control panel with five circular buttons arranged horizontally. Below each button is a vertical line connecting it to a letter: 'a' under the first, 'b' under the second, 'c' under the third, 'd' under the fourth, and 'e' under the fifth.

A : Light on/off	Pressing the "a" button turns on the light. Pressing the button again switches off the lighting.
B : 1. Speed button	Pressing the "1" button activates the hood turbine at minimum speed
C : 2. Speed button	Pressing the "2" button activates the hood turbine at medium speed
D : 3. Speed button	Pressing the "3" button activates the hood turbine at maximum speed
E : 0. Hood shut off	Pressing the "0" button deactivates the hood turbine

- The extractor hood has been designed exclusively for domestic use to eliminate kitchen smells.
- Never use the hood for purposes other than for which it has been designed.
- Never leave high naked flames under the hood when it is in operation.
- Adjust the flame intensity to direct it onto the bottom of the pan only, making sure that it does not engulf the sides.
- Deep fat fryers must be continuously monitored during use: overheated can burst into flames.

3.2 Efficient use in terms of energy saving

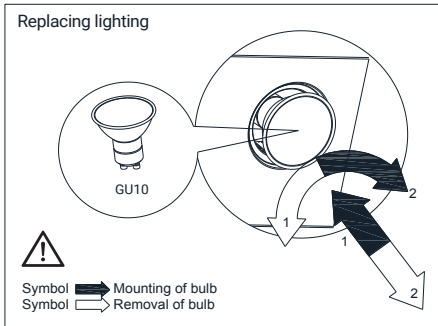
- When using your appliance, adjust the speed settings according to vapour and odour intensity, in order to save energy.
- Use low speeds (1-2) under normal conditions, and high speed (3) and boost mode for intense odour and vapour.
- The hood is equipped with lamps in order to illuminate the cooking area.
- Using them for environmental lighting shall cause unnecessary energy expenditure and insufficient lighting.
- For your device to consume less energy, run it at a low speed level.
- Your device will reduce energy consumption as it will run more efficiently when you provide sufficient air intake to it.
- Set your device to the intense suction power level before the formation of steam, in cases where you know that the dense steam will occur. So, you reduce energy consumption by using your device for a shorter time as it will have a sufficient air intake.
- Keep the lids of the cookware closed to reduce the steam evolving.


3 Using the appliance

3.3 Operating the hood

- Hood is equipped with a motor having various speed settings.
- For a better performance, we advise you to use low speeds in normal conditions, and high speeds when smell and vapors are intensified.
- You can start the hood by pressing the desired speed level key.(B, C, D)
- You can illuminate the cooking area by pressing the light key. (A)

3.4 Lamp replacement



Lamp	
Bulb power	3 W
Holder/Socket	GU10
Bulb voltage	230 V
Size	53x50 mm
ILCOS Code	DR/F-3-230-GU10-50
Luminous flux	255 lm
Correlated colour temperature	3000 K

This product contains a light source of energy efficiency class "A".

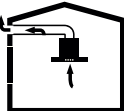


- Before replacing the light bulbs, disconnect the power supply of the hood.
- Do not touch the light bulbs when they are hot.
- Be careful not to touch the replaced light bulb directly with hands.




You may procure lamps from Authorised Service Agents.

3.5 Operation with flue connection

-  Vapour is extracted through the flue duct, which is fastened to the connection head on the hood.
- The diameter of the flue duct must be the same as the connection ring. In horizontal settings, the pipe has to have a slight upward slope (around 10°) so that the air can exit the room easily.

3.6 Operation without flue connection

-  Air is filtered through the carbon filter and recirculated in the room. Carbon filter is used when it is impossible to use a flue in the house.
- In flueless use, remove the flaps inside the flue adapter.
- Remove the oil filter. To install the carbon filter, fit the filter to the tabs by centring it on the plastic piece on both sides of the fan body. Tighten it by turning right or left.
- Replace aluminium oil filter.

4 Cleaning and maintenance

The device should be cleaned and maintained regularly. Failure to keep the device clean will adversely affect the service life of the device. For cleaning and maintenance, follow the instructions stated in the manual.



Before cleaning and maintenance, unplug the product or turn off the switch.

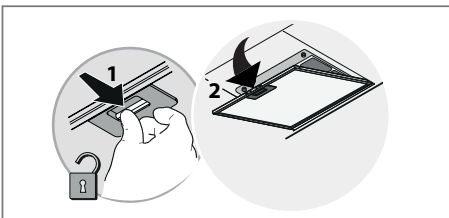


Non-compliance with the provisions associated with the cleaning of the device and replacement of the filters may result in a risk of fire. Therefore, it is recommended to follow the guidelines stated here. The manufacturer is not responsible for the engine damages or fires originating from the improper use.

Clean using only a cloth dampened with a neutral liquid detergent. Do not use abrasive products or alcohol.

4.1 Cleaning of grease filter

This filter captures particles in the air. First remove the grease filters for this process. Wash the filters with liquid detergent and rinse them with water and install them back after they get dry. Grease filters may get discolored as they are washed; this is normal and you don't need to change your filter.



- The filter is removed by moving the locks in the direction indicated by the arrows.
- Tilt the metal grease filter forward and take it out. Wash and rinse the oil filters in liquid detergent water and reinsert the oil filter into its socket by reversing the above steps.



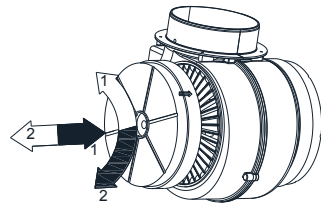
You can wash the grease filter in the dishwasher.



CAUTION: In case of normal use, clean your filter once in a month.

4.2 Changing of carbon filter

The hood can be fitted with an active carbon filter. The carbon filter is applied only in case the hood is not connected to the vent duct.



Symbol  Filter mounting
Symbol  Removal of the filter

WARNING:



- The carbon filter is never washed.
- Replace carbon filters once every 3 months.
- Carbon filter is available from Authorized Services.

5 Installation of appliance



WARNING: Before starting the installation, read the safety information on user manual.



WARNING: Failure to install with screws and stabilizers in accordance with these instructions may result in electric shock.

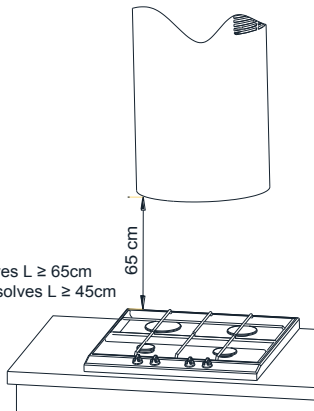
For the installation of the hood, please contact the nearest Authorized Service.

It is the customer's responsibility to prepare the location and electrical installation of the hood.

5.1 Position of the appliance

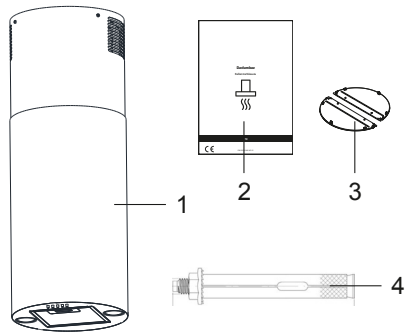


Gas solves $L \geq 65\text{cm}$
Electric solves $L \geq 45\text{cm}$



- Distance between the cooker and the cooker hood must be considered prior to assembly. This distance should be 65 cm.
- Distance must be measured from the surface of grate for gas cookers, from surface of glass for electric cookers.

5.2 Installation accessories



1. Product
2. User manual
3. Ø120mm flue flap
4. 4x Ø8X70 steel screw dowel

5.3 Hood installation

Before installing the hood, make sure that the component to which the hood is to be attached can carry sufficient load. The hood should be mounted directly to the ceiling or to a load-bearing construction which is sufficiently strong. It is forbidden to mount the hood to flimsy elements such as plasterboards. The hood is equipped with fixing pins for concrete. During installation, the generally applicable regulations for the discharge of air from rooms must be observed.

Before proceeding with the installation:

- Check that the dimensions of the purchased product are appropriate for the chosen destination.
- Disconnect and remove (if possible) furniture located in the hood installation area to gain easy access to the ceiling or wall on which the hood is to be mounted. If this is not possible, components in the vicinity of the work to be

5 Installation of appliance

carried out must be secured.

- Check that there are outgoing cables for the hood connection near the hood installation area.
- Check that there are no installation cables (electrical, hydraulic, etc.) in the areas to be drilled.
- Equip yourself with the following tools: tape measure, pencil, drill, Ø10 drill bit, screwdriver.

5.4 Installation steps

1. Remove the aluminium filter and disconnect the turbine plug.

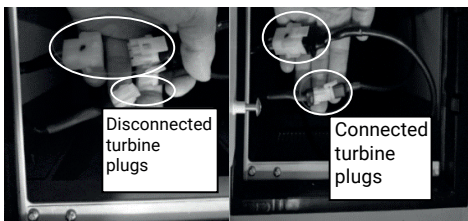


Photo 1

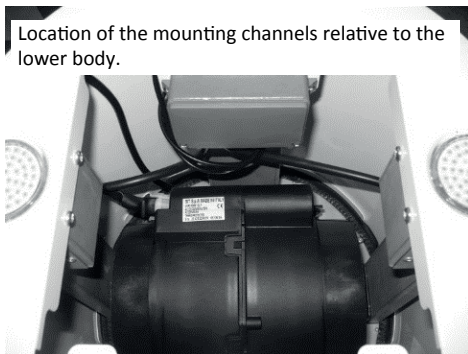
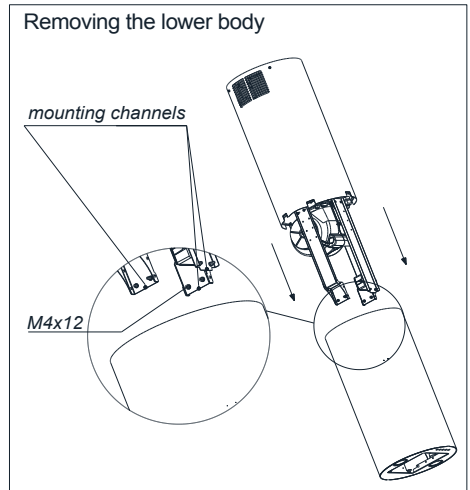
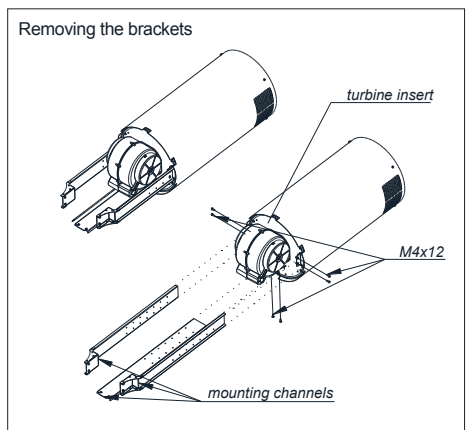


Photo 2

2. Unscrew the six M4x12 bolts that connect the base body to the mounting channels and remove the body from the rest of the hood.

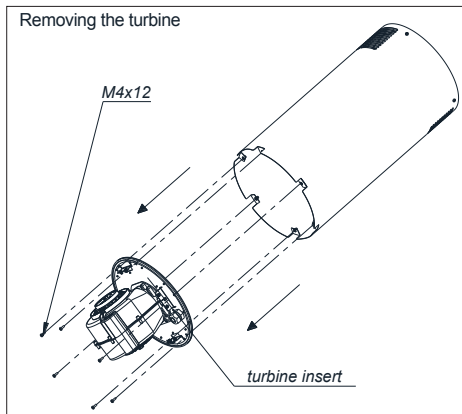


3. Unscrew the mounting channels, which are fastened with M4x12 bolts, remove and set aside.

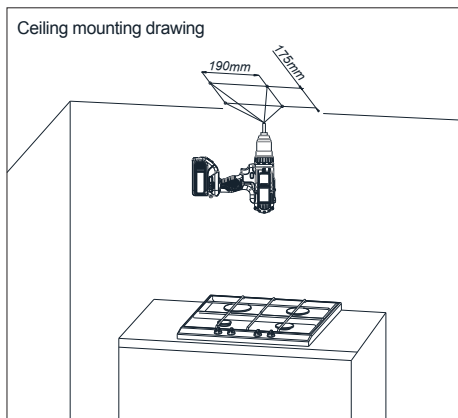


5 Installation of appliance

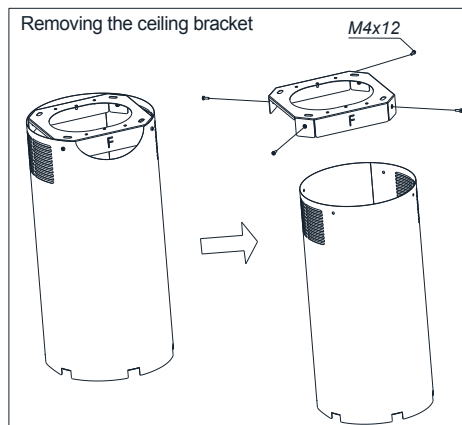
4. Unscrew the six M4x12 bolts and carefully separate the turbine insert with the turbine from the upper body.



6. Mount the hood according to the drawings.

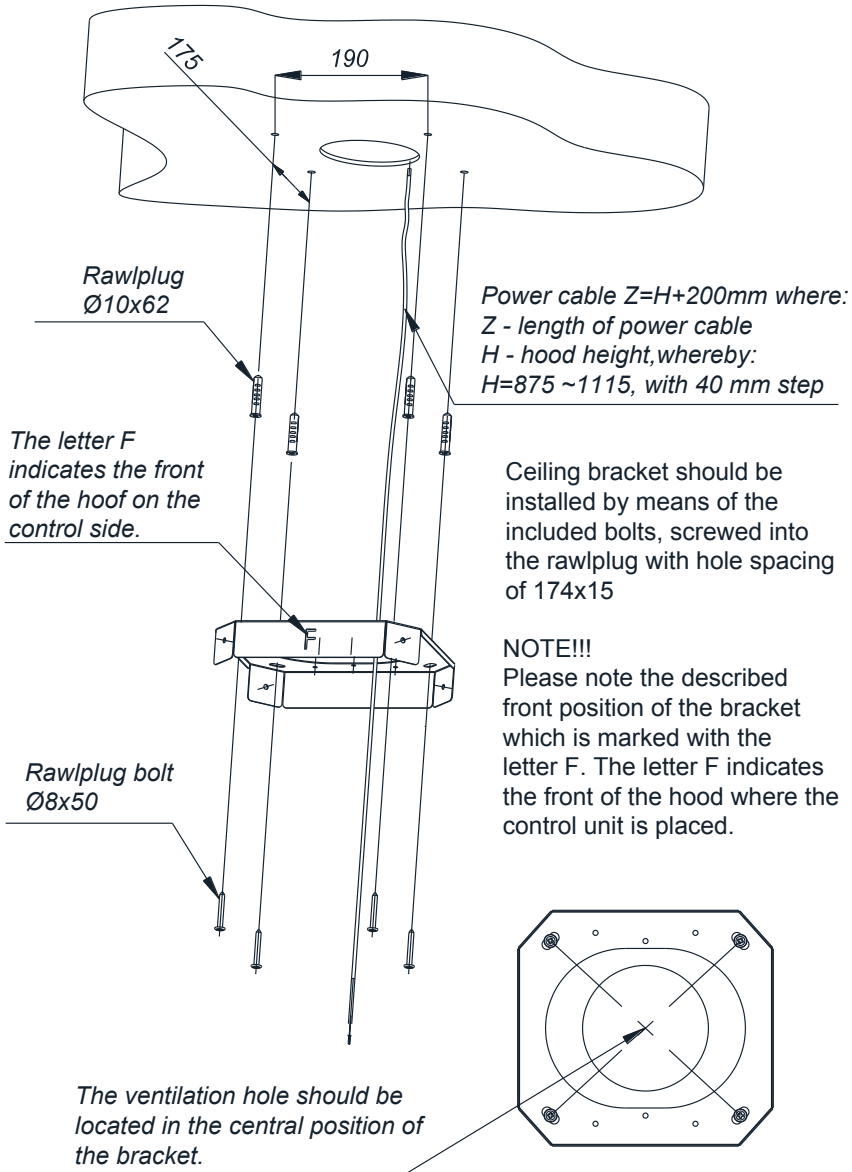


5. Loosen the M4x12 bolts and remove the ceiling bracket from the upper body.



5 Installation of appliance

Mounting the hood to the ceiling. Mounting the ceiling bracket.



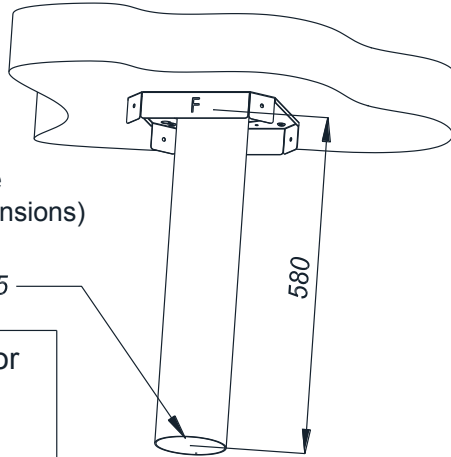
5 Installation of appliance

Mounting the hood to the ceiling. Mounting the discharge.

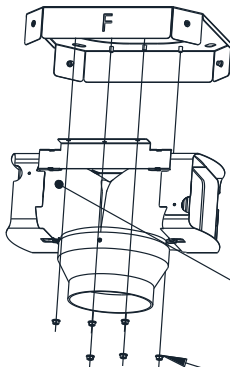
Mounting of discharge pipe
(for extractor type hood)

Install a smooth or spiro pipe
 $\text{Ø}120/125$ mm (internal dimensions)
of length 580 mm

$\text{Ø}120/\text{Ø}125$



Air deflector mounting (for
absorber type hoods)

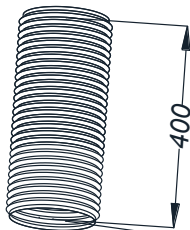


air deflector

M5 flanged nut



Place the air deflector on the bracket by
matching the holes with the dowels, then
install the component using the 6 nuts.

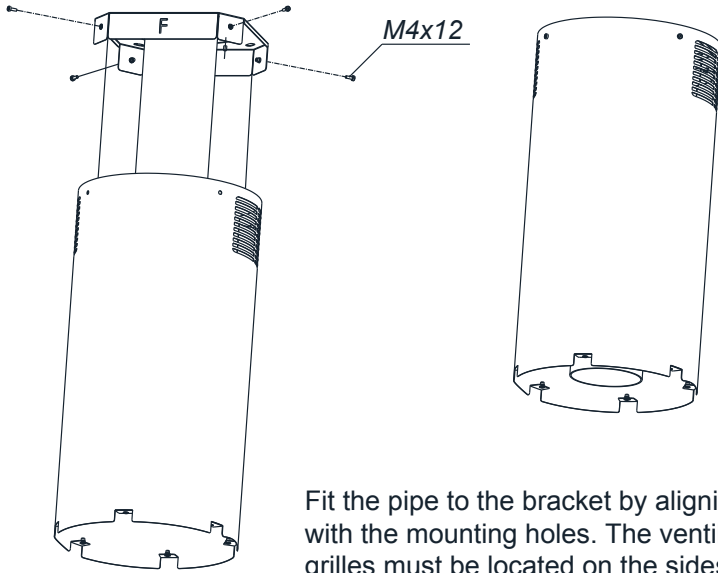


$\text{Ø}120/\text{Ø}125$

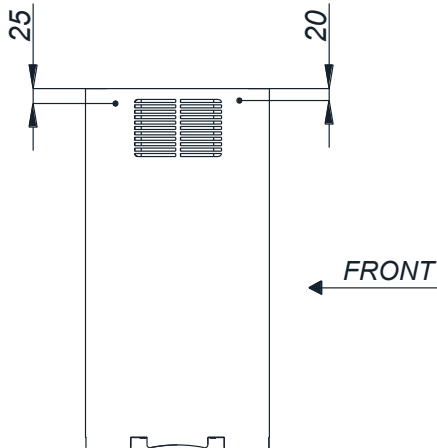
Install a smooth or spiro pipe (with a tie)
120/ 125 of length 500 mm.

5 Installation of appliance

Mounting the hood to the ceiling. Mounting the lower body.



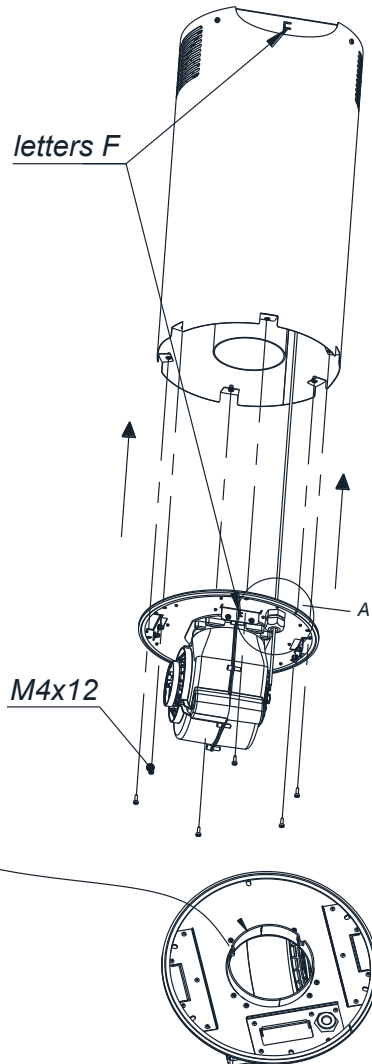
Fit the pipe to the bracket by aligning it with the mounting holes. The ventilation grilles must be located on the sides. After adjusting the holes, screw the pipe in place using M4x12 bolts



5 Installation of appliance

Mounting the hood to the ceiling. Mounting the turbine to an outlet pipe.

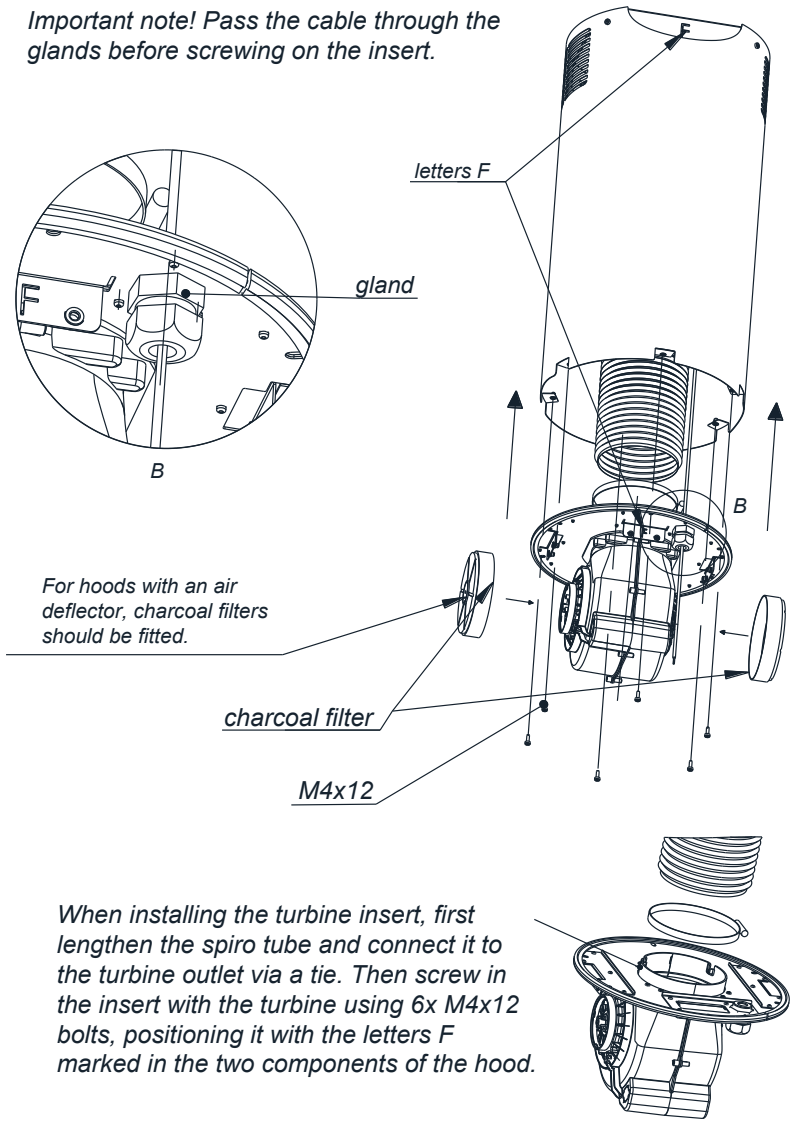
The turbine outlet axis coincides with the discharge pipe axis (assuming that the steps in Fig. 10 have been performed correctly). When assembling the turbine insert, care must be taken to match the turbine outlet with the discharge pipe. Then screw in the insert with the turbine using 6x M4x12 bolts, positioning it with the LETTERS F marked in the two components of the hood.



5 Installation of appliance

Mounting the hood to the ceiling. Mounting the turbine to a flexible pipe

Important note! Pass the cable through the glands before screwing on the insert.



For hoods with an air deflector, charcoal filters should be fitted.

charcoal filter

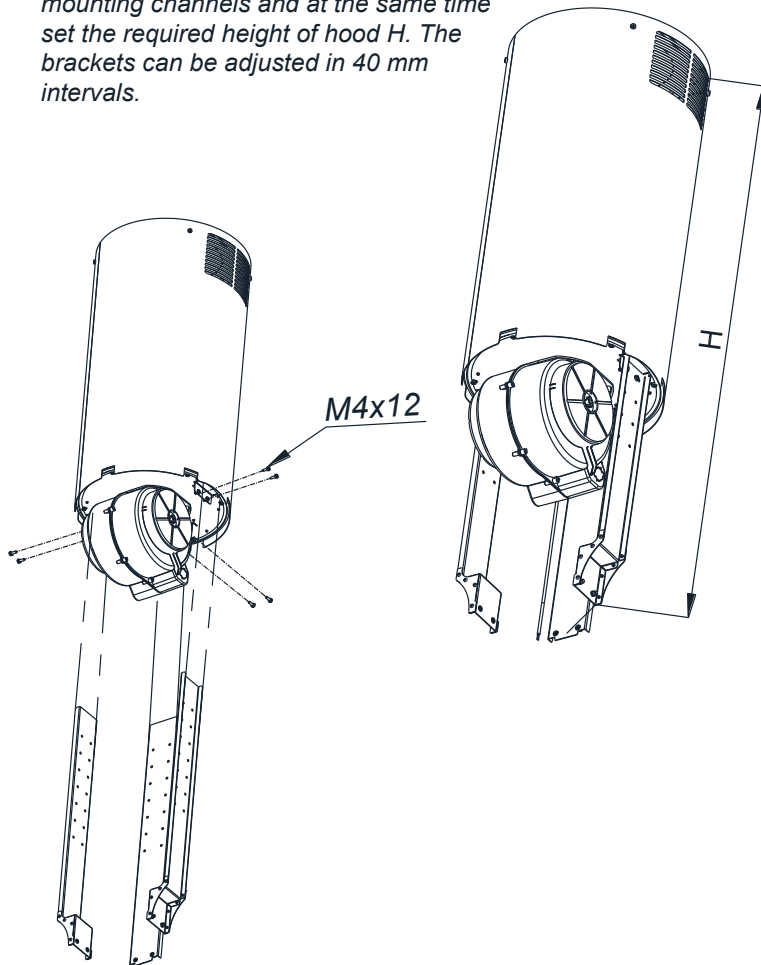
M4x12

When installing the turbine insert, first lengthen the spiro tube and connect it to the turbine outlet via a tie. Then screw in the insert with the turbine using 6x M4x12 bolts, positioning it with the letters F marked in the two components of the hood.

5 Installation of appliance

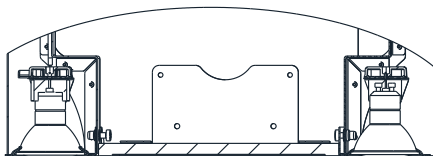
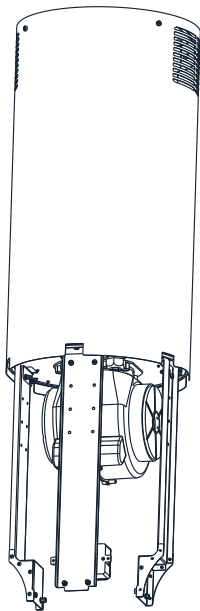
Mounting the hood to the ceiling. Mounting the brackets.

Use 6 pcs. of M4x12 bolts to fix the mounting channels and at the same time set the required height of hood H. The brackets can be adjusted in 40 mm intervals.

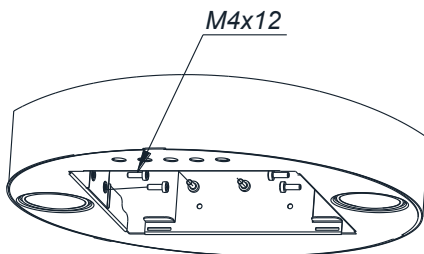


5 Installation of appliance

Mounting the hood to the ceiling. Mounting the lower body.



Slide the lower body onto the mounting channels as shown in Photo 2.



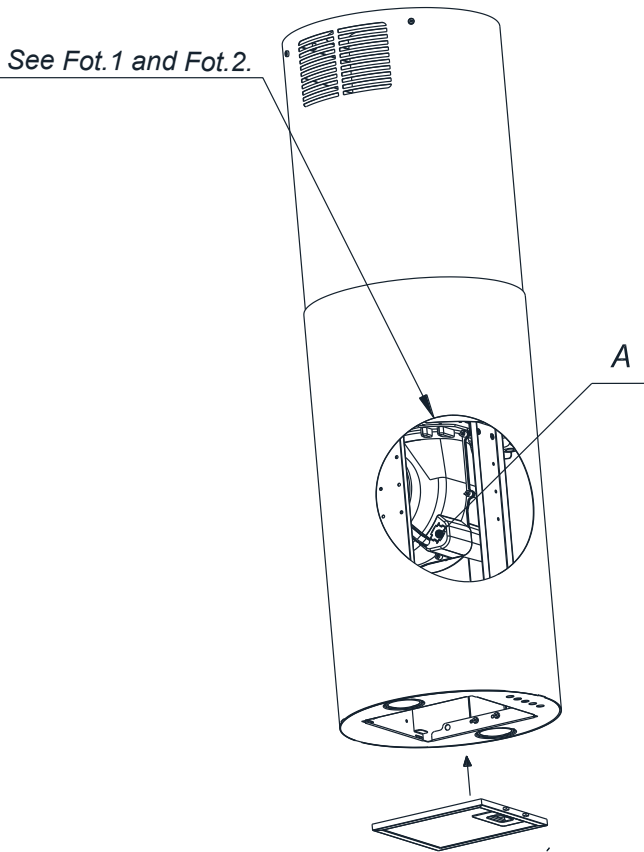
Mount the lower body to the channels with 6x M4x12 bolts



Slide the lower body gently over the upper body. Pay special attention to the wires (so as not to damage the insulation during installation).

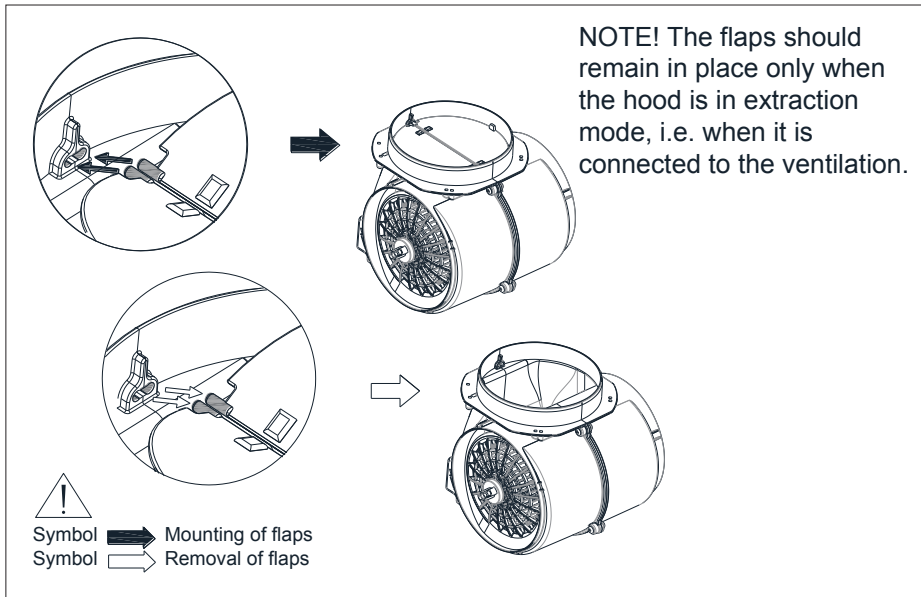
5 Installation of appliance

Mounting the hood to the ceiling. Connection of turbine, power supply, mounting of aluminium filter.



5 Installation of appliance

5.5 Turbine flaps



5.6 Storage

- If you do not intend to use the appliance for a long time, please store it carefully.
- Please make sure that the appliance is unplugged, cooled down and totally dry.
- Store the appliance in a cool and dry place.
- Keep the appliance out of the reach of children

5.7 Handling and transportation

- During handling and transportation, carry the appliance in its original packaging. The packaging of the appliance protects it against physical damages.
- Do not place heavy loads on the appliance or the packaging. The appliance may be damaged.
- Dropping the appliance will render it non-operational or cause permanent damage.

6

Troubleshooting

Troubleshooting	Reason	Help
The product does not work.	Check your fuse.	Your fuse might be closed, make it work.
The product does not work.	Check the electrical connection.	The mains voltage should be between 220-240 V.
The product does not work.	Check the electrical connection.	Check if the other products in your kitchen are working or not.
The lighting lamp does not work.	Check the electrical connection.	The mains voltage should be between 220-240 V.
The lighting lamp does not work.	Check the lamp switch.	The lamp switch should be in the "on" position.
The lighting lamp does not work.	Check the lamps.	The lamps of the product should not be faulty.
The air intake of the product is poor.	Check the aluminum filter.	The aluminum filter should be cleaned at least once a month under normal conditions.
The air intake of the product is poor.	Check the air vent flue.	The air vent flue should be in the "on" position.
The air intake of the product is poor.	Check the carbon filter.	For products with carbon filters, the filter should normally be changed every 3 months.

Proszę najpierw przeczytać tę instrukcję obsługi!

Szanowny Kliencie,

dziękujemy za wybranie urządzenia marki Beko. Mamy nadzieję, że zakupione urządzenie, wyprodukowane z zapewnieniem wysokiej jakości przy użyciu najnowszych technologii, okaże się w pełni zadowalające. W tym celu przed użyciem urządzenia należy uważnie przeczytać całą instrukcję obsługi oraz dołączone dokumenty i zachować je do wglądu na przyszłość. Przekazując urządzenie innemu użytkownikowi, należy dołączyć również niniejszą instrukcję. Należy postępować zgodnie z instrukcjami, zwracając uwagę na wszystkie informacje i ostrzeżenia zamieszczone w niniejszym dokumencie.

Należy pamiętać, że niniejsza instrukcja może odnosić się także do innych modeli. Różnice pomiędzy modelami są wyraźnie opisane w instrukcji.

Znaczenie symboli

W różnych częściach niniejszej instrukcji obsługi stosowane są następujące symbole:



Ważne informacje i przydatne wskazówki dotyczące użytkowania.



OSTRZEŻENIE: Ostrzeżenia przed niebezpiecznymi sytuacjami zagrażającymi życiu i mieniu.



Niebezpieczeństwo pożaru.



Ostrzeżenie przed porażeniem prądem.



Klasa ochrony przeciwporażeniowej.



**PAPIER Z RECYKLINGU
I NADAJĄCY SIĘ
DO PONÓWNEGO
PRZETWORZENIA**

1 Ważne instrukcje dotyczące bezpieczeństwa i ochrony środowiska

1.1 Ogólne zasady dotyczące bezpieczeństwa

Ważne zasady dotyczące bezpieczeństwa. Przeczytaj je uważnie i zachowaj na przyszłość. Rozdział ten zawiera instrukcje zachowania bezpieczeństwa, które pomogą chronić się przed ryzykiem pożaru, porażenia prądem elektrycznym, wycieku mikrofal, obrażeniami ciała lub szkodami w mieciu. Nieprzestrzeganie tych instrukcji spowoduje unieważnienie gwarancji.

- Produkty firmy Beko spełniają wszystkie wymagania stosownych norm bezpieczeństwa. W przypadku jakiegokolwiek uszkodzenia urządzenia lub przewodu zasilającego, aby uniknąć wszelkich zagrożeń, należy oddać je do naprawy lub wymiany przez sprzedawcę, punkt serwisowy lub specjalistę albo autoryzowany serwis. Błędna

lub niefachowa naprawa może być niebezpieczna i powodować zagrożenie dla użytkowników.

- To urządzenie jest przeznaczone do użytku domowego i podobnych zastosowań, na przykład:
 - na zapleczu kuchennym przez personel sklepów, biur i innych miejsc pracy;
 - w gospodarstwach rolnych;
 - do użytku przez klientów hoteli i innych obiektów noclegowych;
 - w pensjonatach.
- Urządzenie należy stosować tylko zgodnie z jego przeznaczeniem, w sposób opisany w niniejszej instrukcji.
- Producent nie ponosi odpowiedzialności za szkody powstałe w wyniku nieprawidłowej instalacji lub niewłaściwego stosowania produktu.

1 Ważne instrukcje dotyczące bezpieczeństwa i ochrony środowiska

- Urządzenie może być obsługiwane przez dzieci w wieku 8 lat i starsze, osoby o ograniczonych możliwościach fizycznych, postrzegania lub umysłowych, a także osoby bez doświadczenia lub wiedzy w zakresie obsługi urządzenia, o ile będą one pod nadzorem lub zostaną szczegółowo poinstruowane o bezpiecznym korzystaniu z urządzenia i zrozumieją potencjalne zagrożenia.
 - Nie należy pozwalać dzieciom bawić się urządzeniem. Dzieci nie mogą czyścić ani konserwować urządzenia bez nadzoru.
 - Minimalna odległość pomiędzy powierzchniami podpór garnków znajdującymi się na szczycie kuchenki a najniższą częścią produktu musi wynosić co najmniej 65 cm.
 - Jeżeli w instrukcji instalacji gazowej płyty kuchennej podano odległość większą, wówczas należy zastosować wskazaną wartość.
 - Zasilanie z domowej sieci elektrycznej musi być zgodne z informacjami podanymi na tabliczce znamionowej urządzenia.
 - Urządzenia nie wolno nigdy używać, jeśli przewód zasilający lub samo urządzenie są uszkodzone.
 - Aby zapobiec uszkodzeniu przewodu zasilającego, nie wolno dopuścić do jego ściskania, zginania lub ocierania o ostre krawędzie. Trzymaj przewód zasilający z dala od gorących powierzchni i otwartego ognia.
 - Urządzenia można używać tylko wtedy, gdy jest podłączone do gniazda ściennego z uziemieniem.
- OSTRZEŻENIE:** Podłącz urządzenie do zasilania do-

1 Ważne instrukcje dotyczące bezpieczeństwa i ochrony środowiska

piero po całkowitym zakończeniu montażu.

- Urządzenie ustaw tak, aby zawsze był możliwy dostęp do wtyczki.
- Nie należy dotykać lamp, jeśli były włączone przez długi czas. Grozi to poparzeniem dłoni gorącą żarówką.
- Należy stosować się do wymagań dotyczących odprowadzania powietrza wywiewanego (to ostrzeżenie nie dotyczy sytuacji korzystania z okapu bez przewodu spalinowego).
- Okap należy uruchamiać po ustawieniu garnka, patelni itp. na płycie grzewczej. W przeciwnym wypadku wysoka temperatura może doprowadzić do zniekształcenia niektórych części produktu.
- Okap należy wyłączać przed zdjęciem garnka, patelni itp. z płyty grzewczej.
- Nie pozostawiać rozgrzanego oleju na płycie grzewczej. Garnki z gorącym olejem mogą się zapalić samoczynnie.
- Należy uważać na zastony i inne elementy osłaniające okna, ponieważ olej może zapalić się samoczynnie podczas smażenia np. frytek.
- Filtr tłuszczu należy wymieniać co najmniej raz w miesiącu. Filtr węglowy należy wymieniać co najmniej raz na 3 miesiące.
- Produkt należy czyścić zgodnie z instrukcją obsługi. Czyszczenie w sposób niezgodny z instrukcją obsługi może prowadzić do ryzyka pożaru.
- Zabrania się stosowania materiałów filtracyjnych nieodpornych na ogień zamiast właściwych filtrów.
- Należy stosować wyłącznie oryginalne lub zalecane przez producenta części zamienne.
- Nie uruchamiać produktu

1 Ważne instrukcje dotyczące bezpieczeństwa i ochrony środowiska

bez zamontowanego filtra ani nie wyjmować filtrów z pracującego okapu.

- W razie pojawienia się płomieni odłączyć produkt oraz urządzenia kuchenne od zasilania.
- W razie pojawienia się płomieni przykryć płomień i w żadnym wypadku nie gasić go wodą.
- Przed każdym czyszczeniem urządzenia i gdy nie jest ono używane należy wyjąć wtyczkę z gniazdka ściennego.
- Podciśnienie w otoczeniu nie może przekraczać 4 Pa (4×10 barów) przy równoczesnym działaniu okapu nad elektryczną płytą grzewczą i urządzeń AGD zasilanych elektrycznie prądem o innych parametrach.
- Jeśli w pomieszczeniu, w którym działa okap, są wykorzystywane urządzenia zasilane olejem opałowym lub gazem, jak np. ogrze-

wacze pomieszczeń, to wylot spalin z takich urządzeń musi być całkowicie odizolowany lub takie urządzenia muszą być hermetyczne.

- Jako przewody spalinowe należy stosować rury o średnicy 120 lub 150 mm. Rura łącząca musi być możliwie jak najkrótsza i mieć jak najmniej kolanek.
- **Niebezpieczeństwo zadławienia!** Wszystkie materiały opakowaniowe należy trzymać z dala od dzieci.

OSTRZEŻENIE: Jeśli jest to okap nad kuchnią, jego wystające części mogą się nagrzewać.

- Wylotu produktu nie wolno przyłączać do kanałów powietrznych, które odprowadzają inny dym.
- Wentylacja w pomieszczeniu może być niewystarczająca w przypadku równoczesnego korzystania z okapu nad elek-

1 Ważne instrukcje dotyczące bezpieczeństwa i ochrony środowiska

tryczną płytą grzewczą oraz urządzeń zasilanych gazem lub innymi paliwami (niniejsze ostrzeżenie może nie dotyczyć urządzeń, które odprowadzają powietrze z powrotem do pomieszczenia).

- Przedmioty znajdujące się na produkcie mogą spaść. Nie stawiać żadnych przedmiotów na produkcie.
- Nie flambiować bezpośrednio nad urządzeniem.

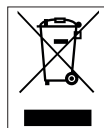
OSTRZEŻENIE: Przed zamontowaniem okapu usunąć folię ochronną.

- Nie wolno pozostawiać otwartego ognia pod działającym okapem
- Frytkownice trzeba stale obserwować w trakcie użytkowania: przegrzany olej może zająć się płomieniem.

1.2 Zgodność z dyrektywą WEEE i usuwanie odpadów:

Wyrób ten jest zgodny z dyrektywą WEEE Unii Europejskiej (2012/19/UE). Wyrób

ten jest oznaczony symbolem klasyfikacyjnym dla zużytego sprzętu elektrycznego i elektronicznego (WEEE).



Ten symbol oznacza, że sprzęt nie może być umieszczany łącznie z innymi odpadami gospodarstwa domowego po okresie jego użytkowania.

Zużyte urządzenie należy oddać do specjalnego punktu zbiórki zużytego sprzętu elektrycznego i elektronicznego w celu utylizacji. Aby uzyskać informacje o punktach zbiórki w swojej okolicy należy skontaktować się z lokalnymi władzami lub punktem sprzedaży tego produktu. Gospodarstwo domowe spełnia ważną rolę w przyczynianiu się do ponownego użycia i odzysku zużytego sprzętu. Odpowiednie postępowanie ze zużyтым sprzętem zapobiega potencjalnym negatywnym konsekwencjom dla środowiska naturalnego i ludzkiego zdrowia.

1.3 Zgodność z dyrektywą RoHS

Zakupiony wyrób jest zgodny z dyrektywą RoHS Unii Europejskiej (2011/65/UE). Nie zawiera szkodliwych ani zakazanych materiałów wyszczególnionych w tej Dyrektywie.

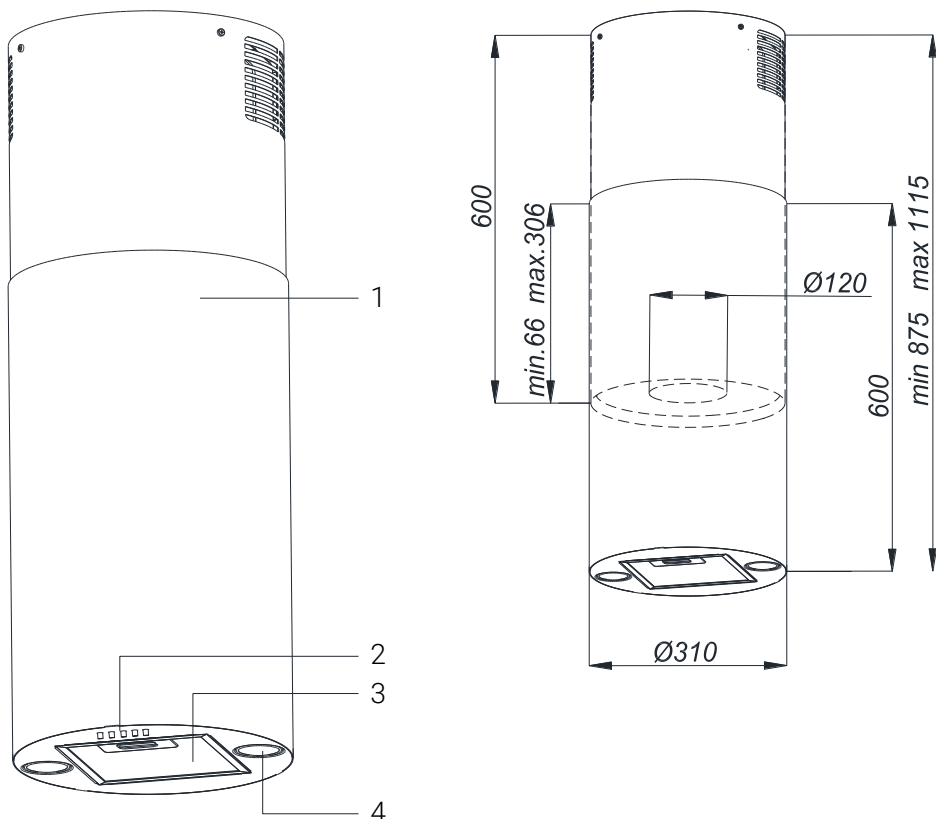
1.4 Informacje o opakowaniu



Materiały, w które opakowany jest produkt zostały wyprodukowane z surowców uzyskanych w procesie recyklingu zgodnie z krajowymi przepisami z zakresu ochrony środowiska. Nie należy utylizować materiałów opakowaniowych wraz z innymi odpadami domowymi. Należy oddać je w jednym z punktów zbiórki materiałów opakowaniowych wyznaczonych przez władze lokalne.

2 Ogólny wygląd

2.1 Przegląd



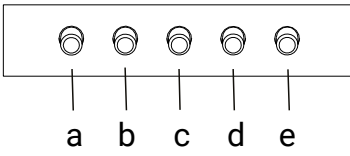
1. Korpus
2. Panel sterowania
3. Filtr przeciwłuszczowy
4. Oświetlenie

2.2 Dane techniczne

Model	BHCI 31322 BBH
Napięcie zasilające	220-240V ~ 50 Hz
Moc lampy	2 x 3 W
Moc silnika	115 W
Przepływ powietrza – 3. Poziom	300 m ³ /h
Klasa izolacji silnika	Klasa F
Klasa izolacji	Klasa II

3 Korzystanie z urządzenia

3.1 Panel sterowania

	
A : Włącz./Wyłącz.światła	Naciśnięcie przycisku „a” włącza światło. Ponowne naciśnięcie przycisku wyłącza światło.
B : 1. Przycisk prędkości	Naciśnięcie przycisku „1” uruchamia turbinę okapu na minimalnej prędkości
C : 2. Przycisk prędkości	Naciśnięcie przycisku „2” uruchamia turbinę okapu na średnie prędkości
D : 3. Przycisk prędkości	Naciśnięcie przycisku „3” uruchamia turbinę okapu na maksymalnej prędkości
E : 0. Wyłączenie okapu	Naciśnięcie przycisku „0” wyłącza turbinę okapu

- Okap został zaprojektowany wyłącznie do użytku domowego w celu wyeliminowania zapachów kuchennych.
- Nigdy nie używaj okapu do celów innych niż te, do których został stworzony.
- Nigdy nie zostawiaj dużego ognia bez naczynia pod włączonym okapem.
- Dostosuj intensywność płomienia, aby skierować go tylko na dno garnka, upewniając się, że nie opali boków.
- Podczas pracy frytownice z głębokim tłuszczem muszą być cały czas pilnowane: przegrzany olej może się zapalić.

3.2 Wydajność pracy pod względem energooszczędności Wykorzystanie

- Podczas korzystania z okapu dostosuj ustawienia prędkości do intensywności oparów i zapachu, aby oszczędzać energię.
- Używaj niskich prędkości (1-2) w normalnych warunkach i wysokich prędkości (3) przy silnym zapachu i intensywnych oparach.
- Lampy w okapie są umieszczone w celu oświetlenia kuchenki.
- Wykorzystanie ich do oświetlenia otoczenia powoduje niepotrzebne wydatki na energię i zapewnia niewystarczające oświetlenie.
- Aby urządzenie zużywało mniej energii, należy je eksploatować z niską prędkością.
- Urządzenie będzie zużywać mniej energii, ponieważ będzie pracować wydajniej, gdy zapewnimy mu wystarczający dopływ powietrza.
- W przypadkach, w których wiadomo, że pojawi się gęsta para, należy ustawić urządzenie na poziom intensywnej siły ssania przed utworzeniem się pary. W ten sposób można zmniejszyć zużycie energii, używając urządzenia przez krótszy czas, ponieważ będzie ono miało wystarczający dopływ powietrza.


3 Korzystanie z urządzenia

- Pokrywy garnków powinny być zamknięte, aby ograniczyć powstawanie pary.


3.3 Instrukcje użytkowania

- Twoje urządzenie posiada silnik, który pracuje z różnymi prędkościami.
- Aby uzyskać lepszą wydajność, zalecamy stosowanie niskich prędkości w normalnych warunkach i dużych prędkości w przypadkach silnego zapachu i intensywnych oparów.
- Możesz uruchomić urządzenie, naciskając przycisk żądanego ustawienia prędkości. (B, C, D)
- Możesz podświetlić powierzchnię gotowania włączając lampę (A).

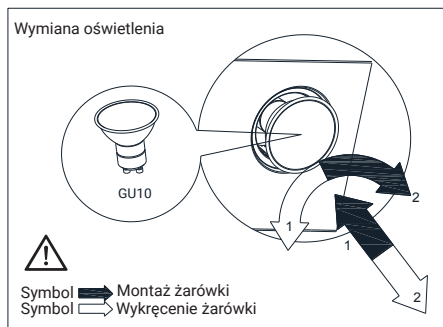
3.4 Wymiana lampy




- Przed wymianą żarówek odłącz okap od zasilania.
- Nie dotykaj gorących żarówek.
- Uważaj, aby nie dotknąć wymienionej żarówki bezpośrednio rękami.



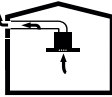
Należy zamawiać lampy od autoryzowanych przedstawicieli serwisowych.



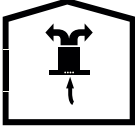
Żarówka	
Moc żarówki	3 W
Uchwyt/gniazdo	GU10
Napięcie żarówki	230 V
Wymiary	53x50 mm
Kod ILCOS	DR/F-3-230-GU10-50
Strumień świetlny	255 lm
Skorelowana temperatura barwowa	3000 K

Ten produkt zawiera źródło światła o klasie efektywności energetycznej "A".

3.5 Praca z odprowadzaniem spalin

-  Opary są odprowadzane przez kanał spalinowy, który jest przymocowany do głowicy przyłączeniowej na okapie.
- Średnica kanału spalinowego musi być taka sama jak pierścienia przyłączeniowego. W ustawieniach poziomych rura musi mieć niewielkie nachylenie do góry (około 10°), aby powietrze mogło łatwo opuścić pomieszczenie.

3.6 Praca bez odprowadzania spalin

-  Powietrze jest filtrowane przez filtr węglowy i recykulowane w pomieszczeniu. Filtr węglowy stosuje się, gdy nie można skorzystać z przewodu kominowego w domu.
- W przypadku zastosowania bez odprowadzania spalin, usuń kłapy wewnątrz adaptera do przewodu kominowego.

3 Korzystanie z urządzenia

- Wyjmij filtr olejowy. Aby zainstalować filtr węglowy, dopasuj filtr do wypustek, wyśrodkowując go na plastikowym elemencie po obu stronach korpusu wentylatora. Dokręć, obracając w prawo lub w lewo.
- Wymień aluminiowy filtr oleju.

4 Czyszczenie i konserwacja

Urządzenie należy regularnie czyścić i konserwować. Nieutrzymywanie urządzenia w czystości będzie miało negatywny wpływ na jego żywotność. Podczas czyszczenia i konserwacji należy postępować zgodnie z instrukcjami podanymi w instrukcji.



Przed czyszczeniem i konserwacją należy odłączyć urządzenie od zasilania lub wyłączyć główny wyłącznik lub poluzować bezpiecznik zasilający okap.

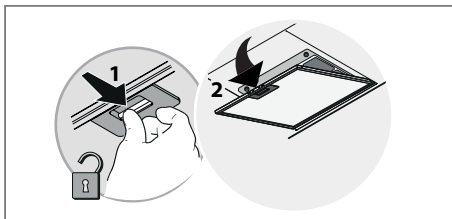


Nieprzestrzeganie zaleceń związanych z czyszczeniem urządzenia i wymianą filtrów może spowodować ryzyko pożaru. Dlatego zaleca się przestrzeganie podanych tu wskazówek. Producent nie ponosi odpowiedzialności za uszkodzenia silnika lub pożary powstałe w wyniku niewłaściwego użytkowania.

Czyścić tylko szmatką zwilżoną neutralnym detergentem. Nie czyść za pomocą narzędzi lub instrumentów. Nie używaj produktów ściernych. Nie używaj alkoholu.

4.1 Czyszczenie aluminiowego filtra przeciwłuszczonego

Filtr wychwytuje cząsteczki oleju w powietrzu. Najpierw wyjmij filtry przeciwłuszczone. Umyj filtry detergentem, opłucz je wodą i zamontuj ponownie po wyschnięciu. Aluminiowe filtry przeciwłuszczone mogą się odbarwić podczas mycia; jest to normalne i nie musisz zmieniać filtra.



- Filtr wyjmuje się przesuwając blokady w kierunku wskazanym strzałkami.
- Odchylić metalowy filtr oleju do przodu i wyjąć go. Umyć i wypłukać filtry oleju w wodzie z płynnym detergentem i ponownie włożyć filtr oleju na miejsce, wykonując powyższe czynności w odwrotnej kolejności.



Filtr przeciwłuszczonego można myć w zmywarce

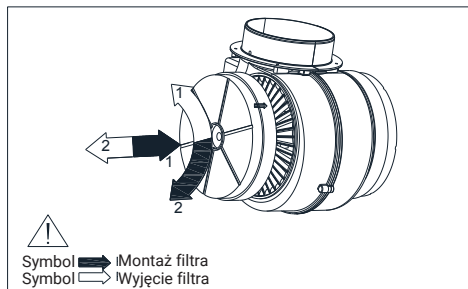


UWAGA: W przypadku normalnego użytkowania wyczyść filtr raz na miesiąc.

4 Czyszczenie i konserwacja

4.2 Wymiana filtra węglowego (tryb cyrkulacji powietrza)

Okap może być wyposażony w filtr z węglem aktywnym. Filtr węglowy jest stosowany tylko wtedy, gdy okap nie jest podłączony do kanału wentylacyjnego.



OSTRZEŻENIE



- Filtru węglowego się nie myje.
- W każdym razie konieczna jest wymiana filtra węglowego co najmniej co 3 miesiące.
- Filtr węglowy jest dostępny w autoryzowanych serwisach.

5 Ustawienie urządzenia



OSTRZEŻENIE: Przed ustawieniem przeczytaj instrukcję bezpieczeństwa.



O S T R Z E Ż E N I E :
Niezainstalowanie śrub lub elementu mocującego zgodnie z niniejszą instrukcją może spowodować zagrożenie elektryczne.

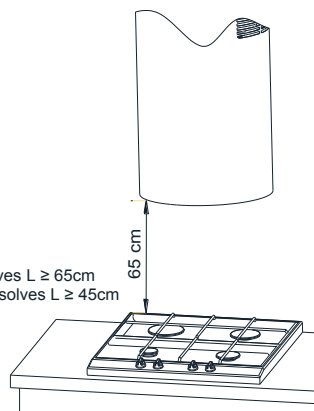
Aby zainstalować okap, skontaktuj się z najbliższym autoryzowanym serwisem.

Obowiązkiem klienta jest przygotowanie lokalizacji i instalacji elektrycznej okapu.

5.1 Pozycja urządzenia



Gas solves L ≥ 65cm
Electric solves L ≥ 45cm

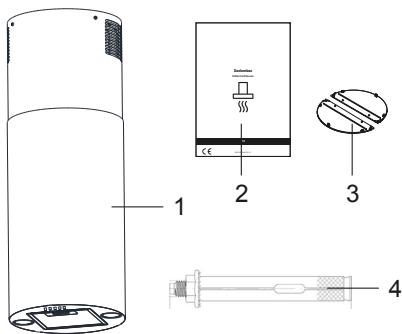


- Przed montażem należy wziąć pod uwagę odległość między kuchenką a okapem kuchennym. Odległość ta powinna wynosić 65cm.

5 Ustawienie urządzenia

- W przypadku kuchenek gazowych odległość należy zmierzyć od powierzchni rusztu, lub od szklanej powierzchni kuchenek elektrycznych.

5.2 Instalacja akcesoriów



1. Produkt
2. Instrukcja obsługi
3. Ø120mm kłapa do przewodu kominowego
4. 4x Ø8X70 stalowy kołek rozporowy

5.3 Instalacja okapu

Przed zamontowaniem okapu należy upewnić się, że element, do którego ma być przymocowany okap, jest w stanie wytrzymać odpowiednie obciążenie. Okap powinien być montowany bezpośrednio do sufitu lub do konstrukcji nośnej o odpowiedniej wytrzymałości. Zabrania się montowania okapu do elementów kruchych takich jak płyty gipsowo-kartonowe. Okap wyposażony jest w kołki mocujące do betonu. Podczas montażu należy przestrzegać ogólnie obowiązujących przepisów dotyczących odprowadzania powietrza z pomieszczeń.

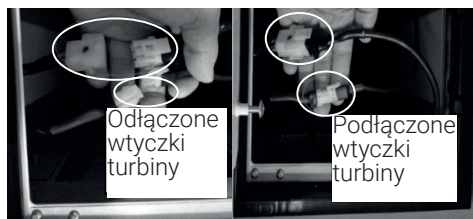
Przed rozpoczęciem instalacji:

- Sprawdzić, czy wymiary zakupionego produktu są odpowiednie dla wybranego miejsca docelowego.
- Odłączyć i usunąć (jeśli to możliwe) meble znajdujące się w obszarze instalacji okapu, aby uzyskać łatwy dostęp do sufitu lub ściany, na której ma być zamontowany okap. Jeśli nie jest to możliwe, należy zabezpieczyć elementy znajdujące się w pobliżu wykonywanych prac.
- Sprawdzić, czy w pobliżu miejsca montażu okapu znajdują się wychodzące przewody do jego podłączenia.
- Sprawdzić, czy w miejscach, w których wykonywane będą wiercenia nie znajdują się przewody instalacyjne (elektryczne, hydrauliczne itp.).
- Przygotować następujące narzędzia: miarka, ołówek, wiertarka, wiertło Ø10, śrubokręt.

5.4 Etapy instalacji

1. Zdjąć filtr aluminiowy i odłączyć wtyczkę turbiny.

5 Ustawienie urządzenia

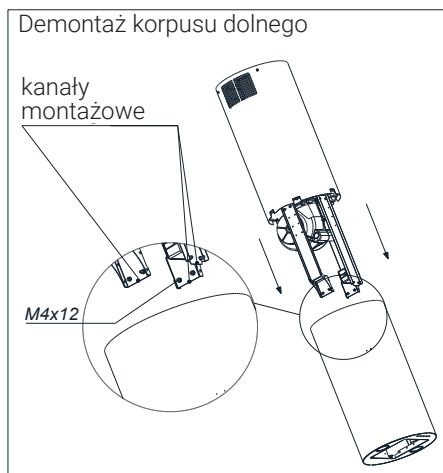


Zdjęcie 1

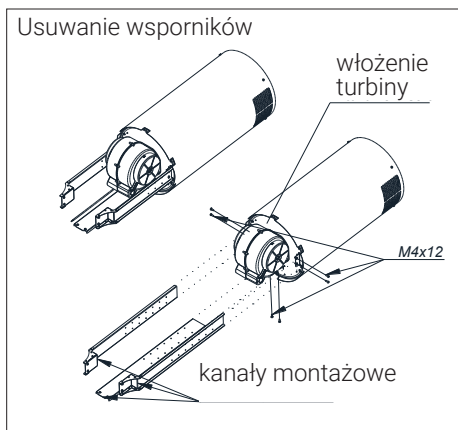


Zdjęcie 2

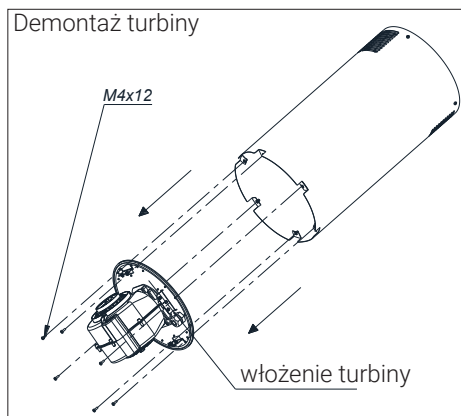
2. Odkręcić sześć śrub M4x12 łączących korpus podstawy z kanałami montażowymi i zdjąć korpus z pozostałej części okapu.



3. Odkręcić kanały montażowe, które są przymocowane śrubami M4x12, zdjęć i odłożyć na bok.

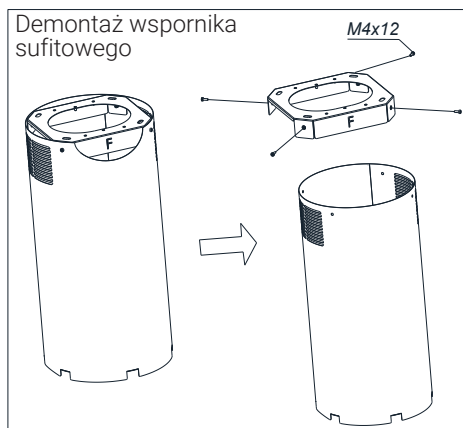


4. Odkręcić sześć śrub M4x12 i ostrożnie oddzielić wkład turbiny wraz z turbiną od górnej części korpusu.



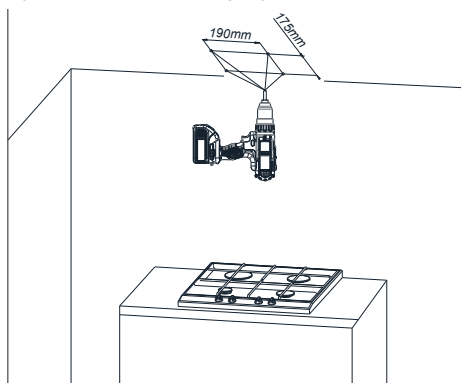
5 Ustawienie urządzenia

5. Poluzować śruby M4x12 i zdjąć wspornik sufitowy z górnej części korpusu.



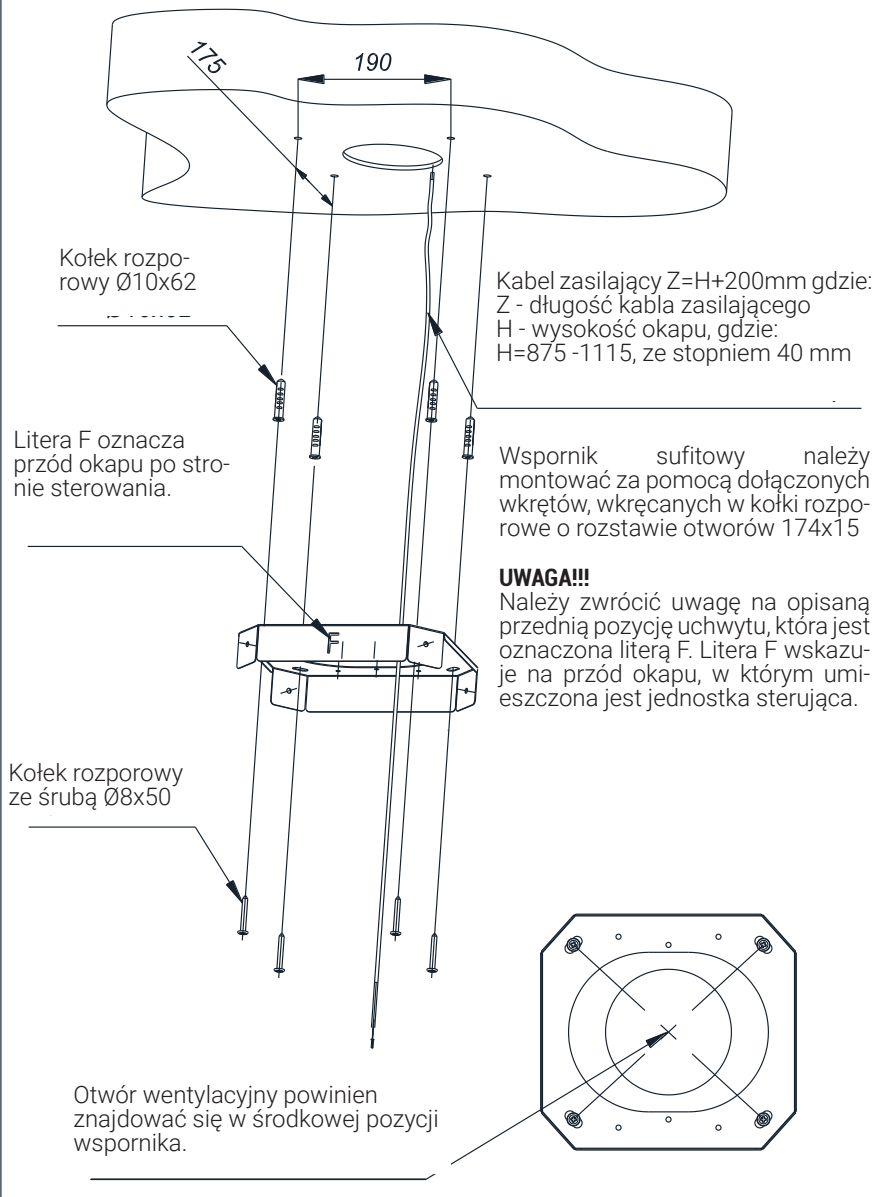
6. Zamontować okap zgodnie z rysunkami.

Rysunek przedstawiający montaż do sufitu



5 Ustawienie urządzenia

Montaż okapu do sufitu. Montaż wspornika sufitowego.



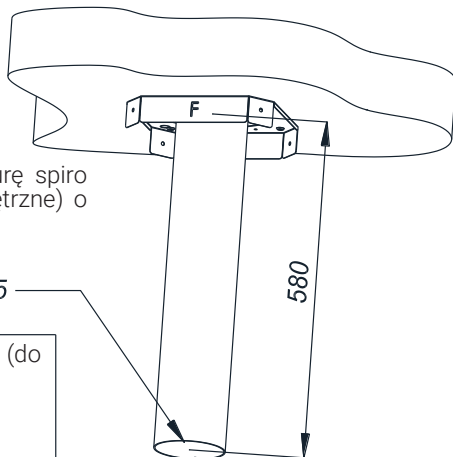
5 Ustawienie urządzenia

Montaż okapu do sufitu. Montaż odprowadzenia.

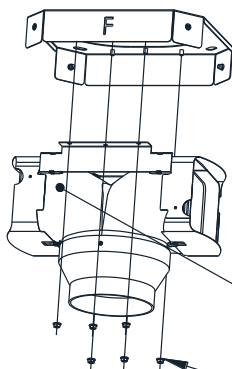
Montaż rury odprowadzającej
(do okapu wyciągowego)

Zamontować rurę gładką lub rurę spiro
 $\text{Ø}120/125$ mm (wymiary wewnętrzne) o
długości 580 mm

$\text{Ø}120/\text{Ø}125$



Mocowanie deflektora powietrza (do
okapów typu pochłaniacz)



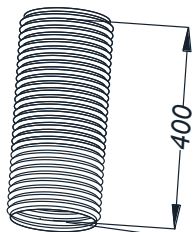
deflektora powietrza

Nakrętka kołnierzowa M5



Umieścić deflektor powietrza na wsporniku,
dopasowując otwory do kołków, a następnie
zamocować element za pomocą 6 nakrętek.

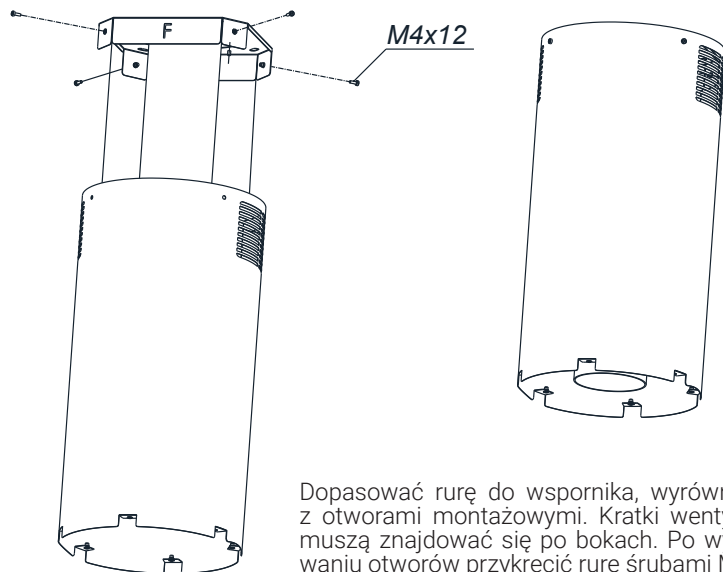
Zamontować rurę gładką lub rurę spiro (z opaską)
 $120/125$ o długości 500 mm.



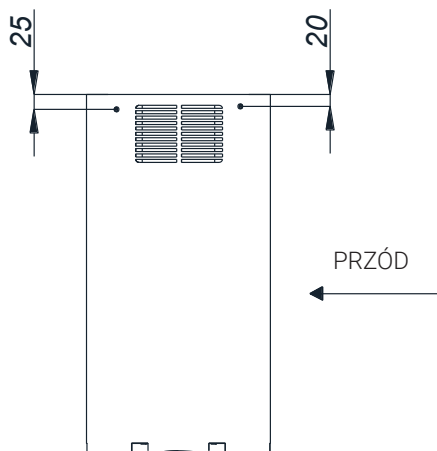
$\text{Ø}120/\text{Ø}125$

5 Ustawienie urządzenia

Montaż okapu do sufitu. Montaż korpusu dolnego.



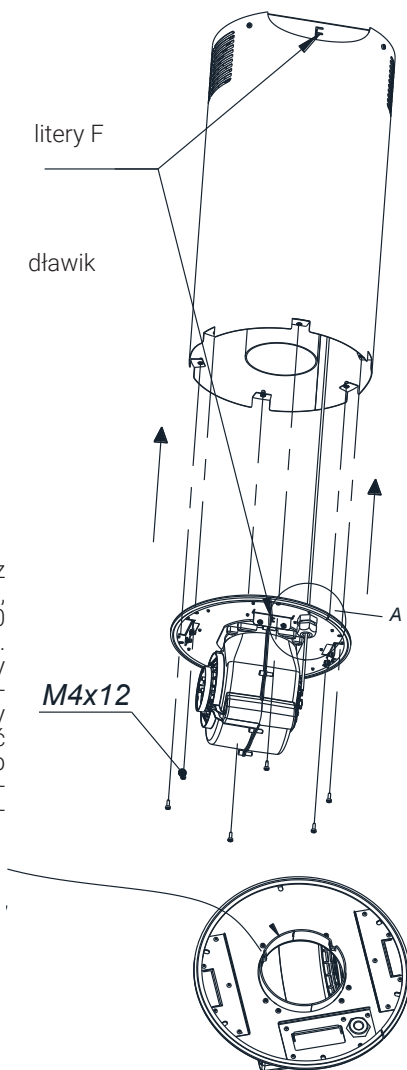
Dopasować rurę do wspornika, wyrównując ją z otworami montażowymi. Kratki wentylacyjne muszą znajdować się po bokach. Po wyregulowaniu otworów przykręcić rurę śrubami M4x12



5 Ustawienie urządzenia

Montaż okapu do sufitu. Montaż turbiny do rury wylotowej.

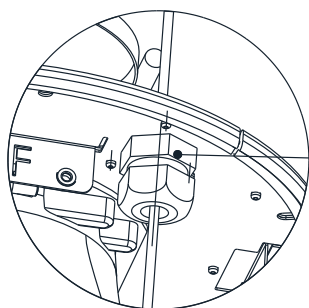
Oś wylotu turbiny pokrywa się z osią rury wylotowej (zakładając, że kroki opisane na Rys. 10 zostały wykonane prawidłowo). Podczas montażu wkładu turbiny należy zwrócić uwagę na dopasowanie wylotu turbiny do rury wylotowej. Następnie przykręć wkładkę z turbiną za pomocą śrub 6x M4x12, ustawiając ją z zaznaczonymi LITERAMI F w dwóch elementach okapu.



5 Ustawienie urządzenia

Montaż okapu do sufitu. Montaż turbiny do rury elastycznej

Ważna informacja! Kabel należy przełożyć przez dławiki przed przykręceniem wkładu.



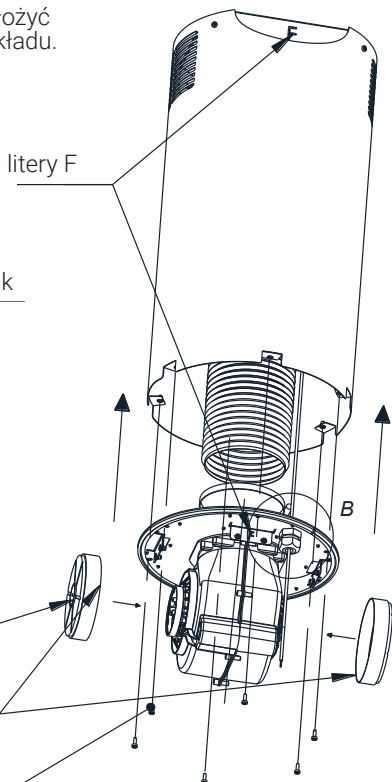
dławik

B

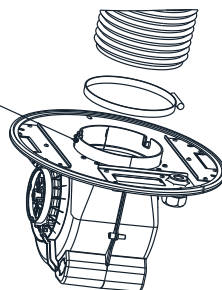
W przypadku okapów z deflektorem powietrza należy zamontować filtry węglowe.

filtr węglowy

M4x12



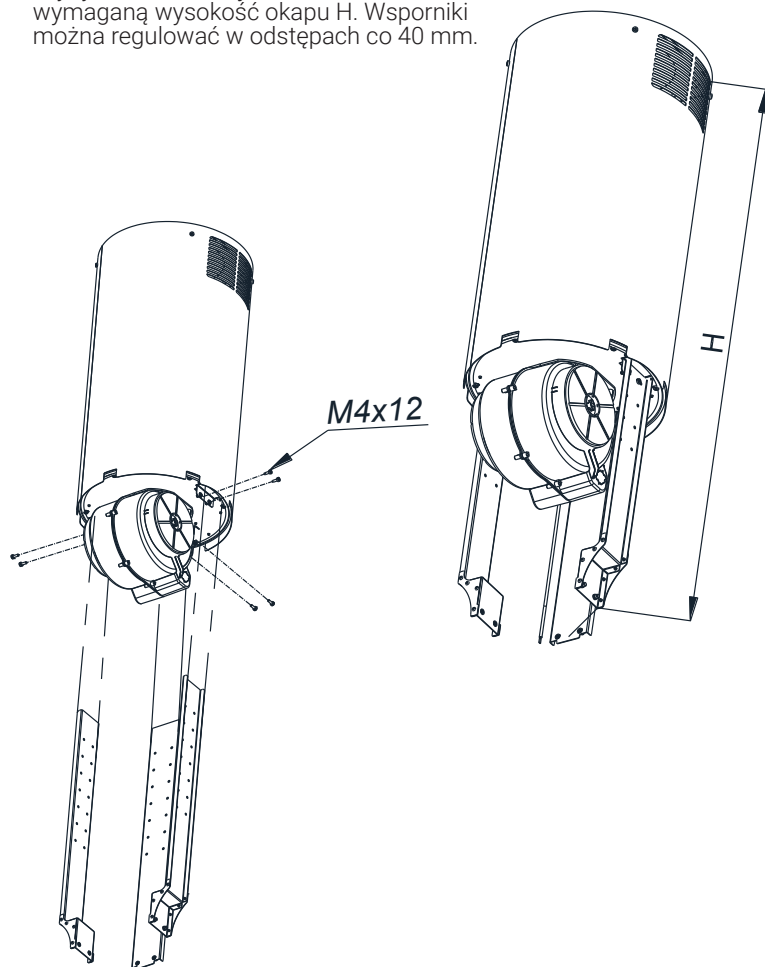
Podczas montażu wkładu turbiny należy najpierw przedłużyć rurę spiro i połączyć ją z wyłotem turbiny za pomocą opaski. Następnie przykręć wkładkę z turbiną za pomocą śrub 6x M4x12, ustawiając ją z oznaczonymi LITERAMI F w dwóch elementach okapu.



5 Ustawienie urządzenia

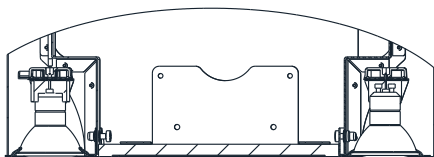
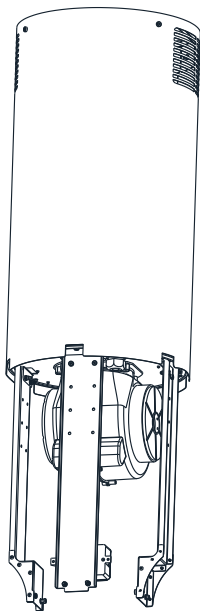
Montaż okapu do sufitu. Montaż wsporników.

Użyć 6 szt. śrub M4x12, aby zamocować szyny montażowe i jednocześnie ustawić wymaganą wysokość okapu H. Wsporniki można regulować w odstępach co 40 mm.

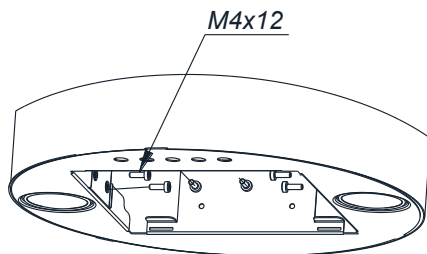


5 Ustawienie urządzenia

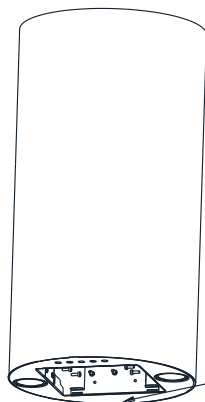
Montaż okapu do sufitu. Montaż korpusu dolnego.



Wsunąć dolną część korpusu w szynę montażową, jak pokazano na zdjęciu 2.



Przymocować dolną część korpusu do kanałów za pomocą 6 śrub M4x12

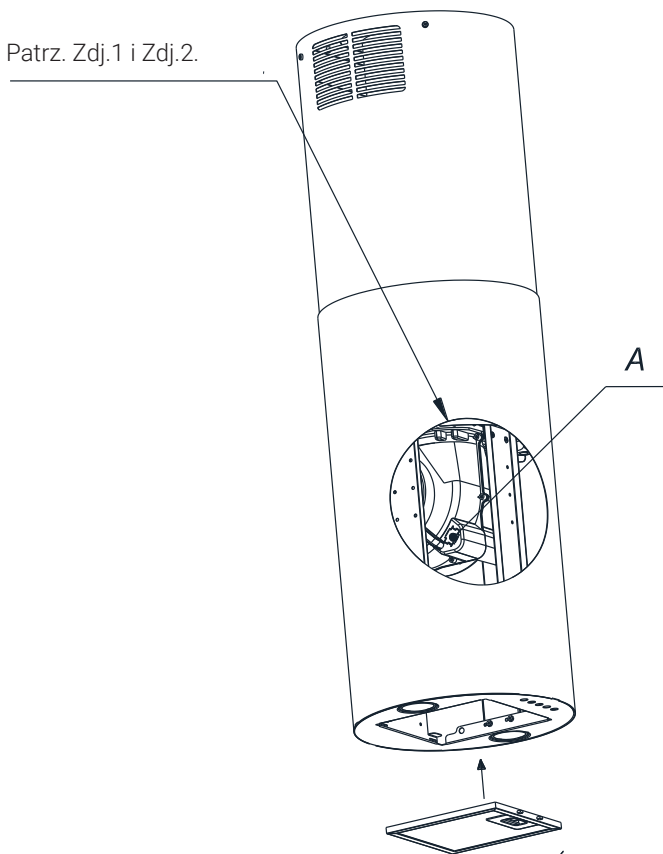


Delikatnie nasunąć dolny korpus na korpus górny. Zwrócić szczególną uwagę na przewody (aby nie uszkodzić izolacji podczas instalacji).

5 Ustawienie urządzenia

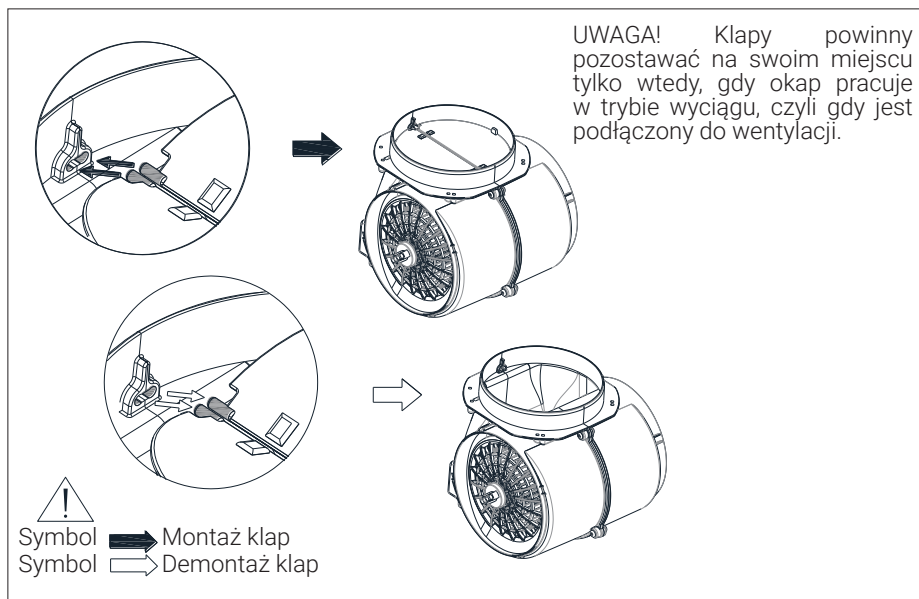
Montaż okapu do sufitu. Podłączenie turbiny, zasilanie, montaż filtra aluminiowego.

Patrz. Zdj.1 i Zdj.2.



5 Ustawienie urządzenia

5.5 Klapy turbiny



5.6 Przechowywanie

- Jeśli urządzenie nie będzie używane przez dłuższy czas, należy je starannie przechowywać.
- Przed podniesieniem urządzenia odłącz je od zasilania i pozwól całkowicie ostygnąć.
- Przechowuj urządzenie i jego akcesoria w ich oryginalnych opakowaniach.
- Urządzenie należy przechowywać w chłodnym, suchym miejscu.
- Urządzenie należy trzymać poza zasięgiem dzieci.

5.7 Przenoszenie i transport

- Urządzenie należy przenosić i transportować w oryginalnym opakowaniu. Zabezpiecza ono urządzenie przed fizycznymi uszkodzeniami.
- Nie wolno umieszczać ciężkich ładunków na urządzeniu lub opakowaniu. Może to spowodować uszkodzenie urządzenia.
- Upuszczenie urządzenia może spowodować jego awarię lub trwałe uszkodzenie.

6 Rozwiązywanie problemów

Rozwiązywanie problemów	Problem	Pomoc
Produkt nie działa.	Sprawdź bezpiecznik.	Bezpiecznik może być zablokowany, napraw to.
Produkt nie działa.	Sprawdź połączenie elektryczne.	Napięcie sieciowe powinno wynosić między 220-240 V.
Produkt nie działa.	Sprawdź połączenie elektryczne.	Sprawdź, czy inne przedmioty w Twojej kuchni działają, czy nie.
Oświetlenie nie działa.	Sprawdź połączenie elektryczne.	Napięcie sieciowe powinno wynosić między 220-240 V.
Oświetlenie działa.	Sprawdź włącznik oświetlenia.	Powinien się znajdować w pozycji „ON”
Oświetlenie działa.	Sprawdź lampy.	Lampy nie powinny być uszkodzone.
Pobór powietrza jest słaby.	Sprawdź filtr przeciwłuszczykowy.	Aluminiowy filtr przeciwłuszczykowy należy czyścić co najmniej raz w miesiącu przy normalnym użytkowaniu.
Pobór powietrza jest słaby.	Sprawdź kanał wentylacyjny.	Powinien się znajdować w pozycji „ON”
Pobór powietrza jest słaby.	Sprawdź filtr węglowy.	W przypadku produktów z filtrami węglowymi filtr należy wymieniać co 3 miesiące.

Drodzy Klienci,

Dziękujemy za zakup naszych produktów. Jesteśmy przekonani, że nasze urządzenia będą służyć przez lata. Każdy produkt firmy Beko jest objęty 2-letnim okresem gwarancji.

Warunki gwarancji Beko S.A- (małe urządzenia AGD)

BEKO spółka akcyjna z siedzibą w Warszawie (02-819), przy ulicy Puławskiej 366, wpisana do rejestru przedsiębiorców prowadzonego przez Sąd Rejonowy dla m.st. Warszawy w Warszawie, XIII Wydział Gospodarczy Krajowego Rejestru Sądowego, pod numerem: 0000078147 (dalej: „BEKO”) udziela gwarancji jakości (dalej: „Gwarancja”) na wprowadzone przez BEKO do obrotu na terenie Polski produkty marki BEKO (dalej: „Urządzenia”) osobom, które nabyły te produkty („Użytkownik”) na następujących warunkach:

I. ZAKRES OCHRONY.

BEKO gwarantuje, że Urządzenie zakupione przez Użytkownika jest wolne od wad produkcyjnych lub materiałowych, powstałych z przyczyn tkwiących w tym Urządzeniu (dalej: „Wada”), które ujawnią się w ciągu terminu określonego w części II. niniejszych Warunków Gwarancji (dalej: „Okres Gwarancyjny”).

W razie ujawnienia się Wady Produktu w trakcie Okresu Gwarancyjnego, zostanie ona usunięta na koszt BEKO w sposób uzależniony od właściwości wady, na zasadach i w zakresie określonym w niniejszych Warunkach Gwarancji.

BEKO zobowiązuje się do usunięcia Wady poprzez dokonanie nieodpłatnej naprawy lub wymiany Urządzenia, bądź też reklamacja zgłoszona na podstawie niniejszych Warunków Gwarancji zostanie rozpoznana w inny sposób uzgodniony przez BEKO i Użytkownika.

Udzielona gwarancja jest ważna na terytorium Rzeczypospolitej Polskiej.

II. CZAS TRWANIA GWARANCJI.

Okres Gwarancyjny wynosi 24 miesiące licząc od daty zakupu Urządzenia przez pierwszego Użytkownika.

III. PROCEDURA ZGŁOSZENIA REKLAMACYJNEGO.

Wady Urządzenia ujawnione w Okresie Gwarancyjnym będą usuwane pod warunkiem przedstawienia przez Użytkownika dowodu zakupu tego Urządzenia zawierającego oznaczenia niezbędne do jego identyfikacji (model, datę zakupu).

Uprawnienia wynikające z niniejszych Warunków Gwarancji mogą być zrealizowane przez Użytkownika wyłącznie w Autoryzowanych Punktach Serwisowych BEKO (dalej: „Serwis”) po uprzednim dokonaniu zgłoszenia na Infolinii BEKO pod numerem telefonu: 222501414. Urządzenie powinno być odpowiednio zapakowane i zabezpieczone przez Użytkownika na czas transportu do punktu serwisowego Beko.

Wady Urządzenia będą usunięte w terminie 14 dni od daty zgłoszenia Wady na Infolinii BEKO.

Jeżeli część zamienna wymieniana w ramach uprawnień wynikających z niniejszych Warunków Gwarancji Urządzenia jest sprowadzana z zagranicy, termin naprawy, o którym

mowa w punkcie 5 powyżej, może ulec wydłużeniu jednak, nie więcej niż do 30 dni licząc odpowiednio od daty zgłoszenia Wady na Infolinii BEKO. Informacje o spodziewanych terminach napraw dostępne są na Infolinii BEKO pod numerem 222501414. Po usunięciu Wady, Urządzenie zostanie dostarczone Użytkownikowi na koszt BEKO.

IV. WYŁĄCZENIA.

Warunkiem skorzystania z niniejszych Warunków Gwarancji jest:

użytkowanie Urządzenia zgodnie z Instrukcją Obsługi dołączoną do tego Urządzenia i jego przeznaczeniem, jak również odpowiednie czyszczenie i konserwację Urządzenia;

użytkowanie w warunkach indywidualnego gospodarstwa domowego. Urządzenie nie jest używane do celów prowadzenia działalności gospodarczej lub w zastosowaniach eksploatacji masowej, w szczególności w gastronomicznej działalności hoteli, restauracji i innych obiektów turystyczno-rekreacyjnych lub zbiorowego żywienia. stosowanie osprzętu zalecanego przez producenta; brak ingerencji w Urządzenie przez osoby do tego nieupoważnione; brak ingerencji w tabliczkę znamionową z numerem seryjnym Urządzenia. Udzielona przez Beko Gwarancja nie obejmuje:

wad powstałych z przyczyn innych niż tkwiące w Urządzeniu;

normalnego zużycia elementów eksploatacyjnych tj. akumulatory, baterie, noże, filtry, żarówki, szczotki, itp.;

czynności przewidzianych w Instrukcji Obsługi, do wykonania których zobowiązany jest Użytkownik Urządzenia we własnym zakresie i na swój koszt, w tym: instruktażu dotyczącego obsługi Urządzenia, instalacji oraz regulacji urządzenia.

usterek powstałych w wyniku nieprawidłowego lub niewłaściwego użytkowania, niedbalstwa, przypadkowego uszkodzenia Urządzenia, nieodpowiedniego napięcia prądu lub dokonania jakichkolwiek zmian, które mają wpływ na niewłaściwe działanie Urządzenia, i które naprawiane były przez osoby nieupoważnione, używania instalacji niezgodnych z odpowiednimi Polskimi Normami i innych niż wymienione w Instrukcji Obsługi Urządzenia; uszkodzeń mechanicznych, termicznych, chemicznych, korozji, innych uszkodzeń spowodowanych działaniem lub zaniedbaniem Użytkownika lub powstałych na skutek

działania sił zewnętrznych (do których zalicza się w szczególności wyładowania atmosferyczne, skoki napięcia, wszystkiego rodzaju awarie domowej instalacji wodno-kanalizacyjnej, itp.), a także powstałych na skutek przedostania się zanieczyszczeń lub ciał obcych do Urządzenia, zakamienienia (proces odkamieniania musi być przeprowadzany zgodnie z instrukcją obsługi z użyciem odpowiednich środków czyszczących) elementów ze szkła, plastiku oraz porcelany; odbarwień Urządzenia lub poszczególnych jego części;

usterek powstałych na skutek przechowywania i użytkowania Urządzenia w warunkach, które są niezgodne z normalnymi warunkami domowymi określonymi wymaganiami powszechnie obowiązujących przepisów prawa i odpowiednich Polskich Norm;

V. POZOSTAŁE POSTANOWIENIA.

Niniejsze warunki gwarancji mają zastosowanie do Urządzeń zakupionych od dnia 01.03.2019 r. Gwarant oświadcza, że niniejsza Gwarancja jest udzielana Użytkownikowi dodatkowo i nie wyłącza, nie ogranicza ani nie zawiesza uprawnień Użytkownika wynikających z przepisów o rękojmi za wady rzeczy sprzedanej na podstawie Kodeksu cywilnego.

Arçelik A.Ş.
Karaağaç Caddesi No: 2-6, 34445,
Sütlüce, İstanbul, Türkiye

www.beko.com